

Ersatzteil Liste



List of Spare-Parts · Liste de pièces détachées · Lista ricambi

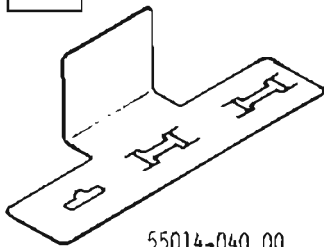
9/79

Receiver 35a

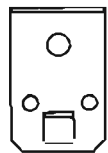
Pos. No.	Fig. No.	Bestell-Nr./Part No. Réf./Nr. d'ordinazioni	Benennung	Description	Désignation	Denominazione
			<u>Gehäuse</u> metallfinish	<u>Cabinet</u> Metallic finish	<u>Boîtier</u> métal	<u>Mobile</u> rifiniture in metallo
1		55015-110.01	Gehäuse kpl.	Cabinet compl.	boîtier cpl	Mobile cpl.
1.1		59750-025.00	2x Fuß	Foot	ped	Piedino
1.2	1	55014-044.01	2x Fuß	Foot	ped	Piedino
1.2a		55014-045.00	2x Fußeinsetz	Foot insert	enjoliveur pied	Inserto piedino
1.3		55015-130.01	Blende	Mask	face avant	Mascherina
1.31	1	55014-034.01	Skalenscheibe	Dial	glace de cadran	Vetrino scala
1.32	1	55015-101.01	Zierrahmen kpl.	Ornamental frame compl.	enjoliveur cpl	Cornice ornamen.cpl.
1.33	1	55015-095.01	Zierblech kpl.	Ornamental plate compl.	enjoliveur cpl	Lamier. ornamen.cpl.
1.34	6	55014-040.00	Massefeder	Chassis spring	ressort	Molla di massa
1.4		50016-043.00	Deckelwanne	Frame for cover	couvercle	Coperchio
1.5	6	59751-004.00	Blattfeder	Leaf spring	ressort lame	Molla piatta
1.6	1	55015-080.01	Deckel kpl.	Cover compl.	couvercle cpl	Coperchio cpl.
1.61		55015-085.01	Deckelblech kpl.	Cover plate compl.	couvercle cpl	Lamier.coperchio cpl.
3	1	09670-847.01	5x Drehknopf	Rotary control	bouton	Manopola
5		01560-580.00	UKW-Möbelantenne	VHF furniture aerial	antenne FM	Antenna mobile FM
6	6	50016-045.01	Abstimm Schlüssel (rot)	Tuning key (red)	bouton prolongateur	Chiave di sint.(rossa)
7		50016-165.01	Gehäuseschiene	Cabinet rail	traverse	Listello del mobile
8		50019-035.00	3x Abdeckscheibe	Cover plate	rondelle	Lastra di copertura
			<u>Gehäuse</u> schwarz	<u>Cabinet</u> black	<u>Boîtier</u> noir	<u>Mobile</u> nero
1		55015-110.02	Gehäuse kpl.	Cabinet compl.	boîtier cpl	Mobile cpl.
1.1		59750-025.00	2x Fuß	Foot	ped	Piedino
1.2	1	55014-044.01	2x Fuß	Foot	ped	Piedino
1.2a		55014-045.00	2x Fußeinsetz	Foot insert	enjoliveur pied	Inserto piedino
1.3		55015-130.02	Blende kpl.	Mask assy.	face avant cpl	Mascherina cpl.
1.31	1	55014-034.01	Skalenscheibe	Dial	glace de cadran	Vetrino scala
1.32	1	55015-101.02	Zierrahmen kpl.	Ornamental frame compl.	enjoliveur cpl	Cornice ornamen.cpl.
1.33	1	55015-095.02	Zierblech kpl.	Ornamental plate compl.	enjoliveur cpl	Lamier.ornament.cpl.
1.34	6	55014-040.00	Massefeder	Chassis spring	ressort	Molla di massa
1.4		50016-043.00	Deckelwanne	Frame for cover	couvercle	Coperchio
1.5	6	59751-004.00	Blattfeder	Leaf spring	ressort lame	Molla piatta
1.6	1	55015-080.02	Deckel kpl.	Cover compl.	couvercle cpl	Coperchio cpl.
1.61		55015-085.02	Deckelblech kpl.	Cover plate compl.	couvercle cpl	Lamier.coperchio cpl.
3	1	09670-847.02	5x Drehknopf	Rotary control	bouton	Manopola
5		01560-580.00	UKW-Möbelantenne	VHF furniture aerial	antenne FM	Antenna mobile FM
6	6	50016-045.01	Abstimm Schlüssel (rot)	Tuning key (red)	bouton prolongateur	Chiave di sint.(rossa)
7		50016-165.01	Gehäuseschiene	Cabinet rail	traverse	Listello del mobile
8		50019-035.00	9x Abdeckscheibe	Cover plate	rondelle	Lastra di copertura

Pos. No.	Fig. No.	Bestell-Nr./Part No. Réf./Nr. d'ordinazioni	Benennung	Description	Désignation	Denominazione
			<u>Gehäuse</u> braun-metallic	<u>Cabinet</u> Metallic brown	<u>Boîtier</u> brun-métal.	<u>Mobile</u> marrone-metallico
1		55015-110.03	Gehäuse kpl.	Cabinet compl.	boîtier cpl	Mobile cpl.
1.1		59750-025.00	2x Fuß	Foot	ped	Piedino
1.2	1	55014-044.01	2x Fuß	Foot	ped	Piedino
1.2a		55014-045.00	2x Fußeinsetz	Foot insert	enjoliveur pied	Inserto piedino
1.3		55015-130.03	Blende kpl.	Mask assy.	face avant cpl	Mascherina cpl.
1.31	1	55014-034.01	Skalenscheibe	Dial	glace de cadran	Vetrino scala
1.32	1	55015-101.03	Zierrahmen kpl.	Ornamental frame compl.	enjoliveur cpl	Cornice ornament.cpl.
1.33	1	55015-095.03	Zierblech kpl.	Ornamental plate compl.	enjoliveur cpl	Lamier. ornament.cpl.
1.34	6	55014-040.00	Massefeder	Chassis spring	ressort	Molla di massa
1.4		50016-043.00	Deckelwanne	Frame for cover	couvercle	Coperchio
1.5	6	59751-004.00	Blattfeder	Leaf spring	ressort lame	Molla piatta
1.6	1	55015-080.03	Deckel kpl.	Cover compl.	couvercle cpl	Coperchio cpl.
1.61		55015-085.03	Deckelblech kpl.	Cover plate compl.	couvercle cpl	Lamier. coperchio cpl.
3	1	09670-847.03	5x Drehknopf	Rotary control	bouton	Manopola
5		01560-580.00	UKW-Möbelantenne	VHF furniture aerial	antenne FM	Antenna mobile FM
6	6	50016-045.01	Abstimmsschlüssel (rot)	Tuning key (red)	bouton prolongateur	Chiave di sintonia (rossa)
7		50016-165.03	Gehäuseschiene	Cabinet rail	traverse	Listello del mobile
8		50019-035.00	9x Abdeckscheibe	Cover plate	rondelle	Lastra di copertura
			<u>Gehäuse</u> champagner-metallic	<u>Cabinet</u> Metallic champagne	<u>Boîtier</u> champagne-métal.	<u>Mobile</u> champagne-metallico
1		55015-110.04	Gehäuse kpl.	Cabinet compl.	boîtier cpl	Mobile cpl.
1.1		59750-025.00	2x Fuß	Foot	ped	Piedino
1.2	1	55014-044.01	2x Fuß	Foot	ped	Piedino
1.2a		55014-045.00	2x Fußeinsetz	Foot insert	enjoliveur pied	Inserto piedino
1.3		55015-130.05	Blende kpl.	Mask assy.	face avant cpl	Mascherina cpl.
1.31	1	55014-034.01	Skalenscheibe	Dial	glace de cadran	Vetrino scala
1.32	1	55015-101.04	Zierrahmen kpl.	Ornamental frame compl.	enjoliveur cpl	Cornice ornament.cpl.
1.33	1	55015-095.04	Zierblech kpl.	Ornamental plate compl.	enjoliveur cpl	Lamier. ornament.cpl.
1.34	6	55014-040.00	Massefeder	Chassis spring	ressort	Molla di massa
1.4		50016-043.00	Deckelwanne	Frame for cover	couvercle	Coperchio
1.5	6	59751-004.00	Blattfeder	Leaf spring	ressort lame	Molla piatta
1.6	1	55015-080.04	Deckel kpl.	Cover compl.	couvercle cpl	Coperchio cpl.
1.61		55015-085.04	Deckelblech kpl.	Cover plate compl.	couvercle cpl	Lamier. coperchio cpl.
3	1	09670-847.03	5x Drehknopf	Rotary control	bouton	Manopola
5		01560-580.00	UKW-Möbelantenne	VHF furniture aerial	antenne FM	Antenna mobile FM
6	6	50016-045.01	Abstimmsschlüssel (rot)	Tuning key (red)	bouton prolongateur	Chiave di sintonia (rossa)
7		50016-165.03	Gehäuseschiene	Cabinet rail	traverse	Listello del mobile
8		50019-038.01	9x Abdeckscheibe	Cover plate	rondelle	Lastra di copertura

6



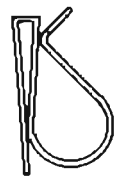
55016-040.00



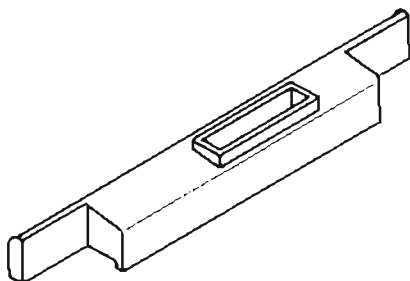
59751-004.00



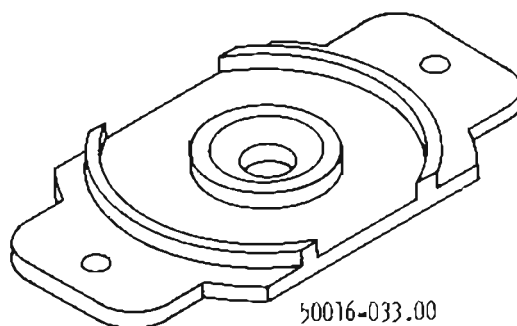
50016-045.01



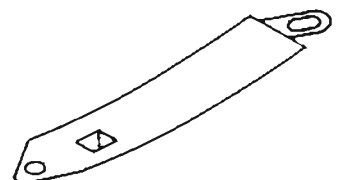
50016-051.00



50016-040.00



50016-033.00



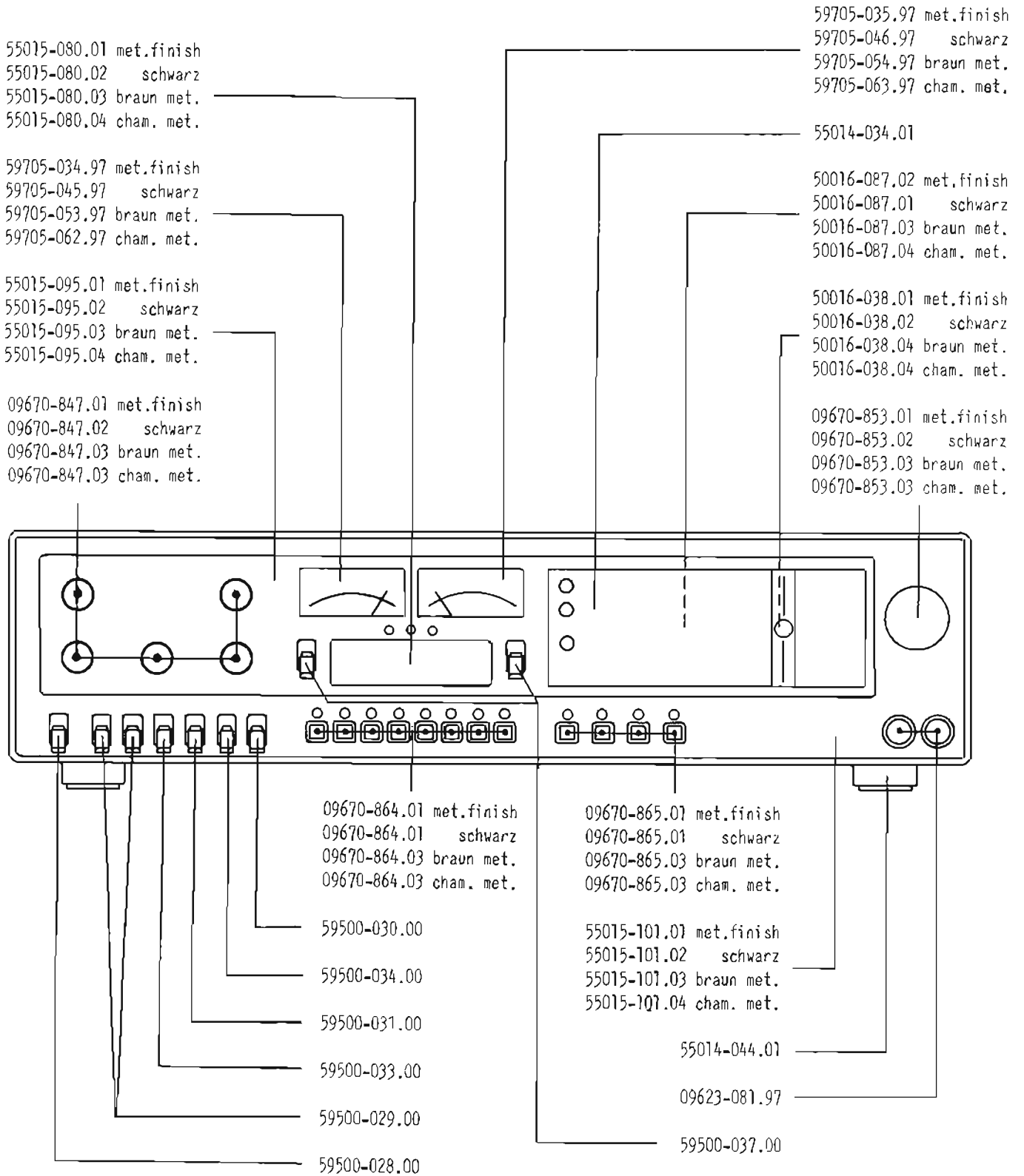
59751-011.00

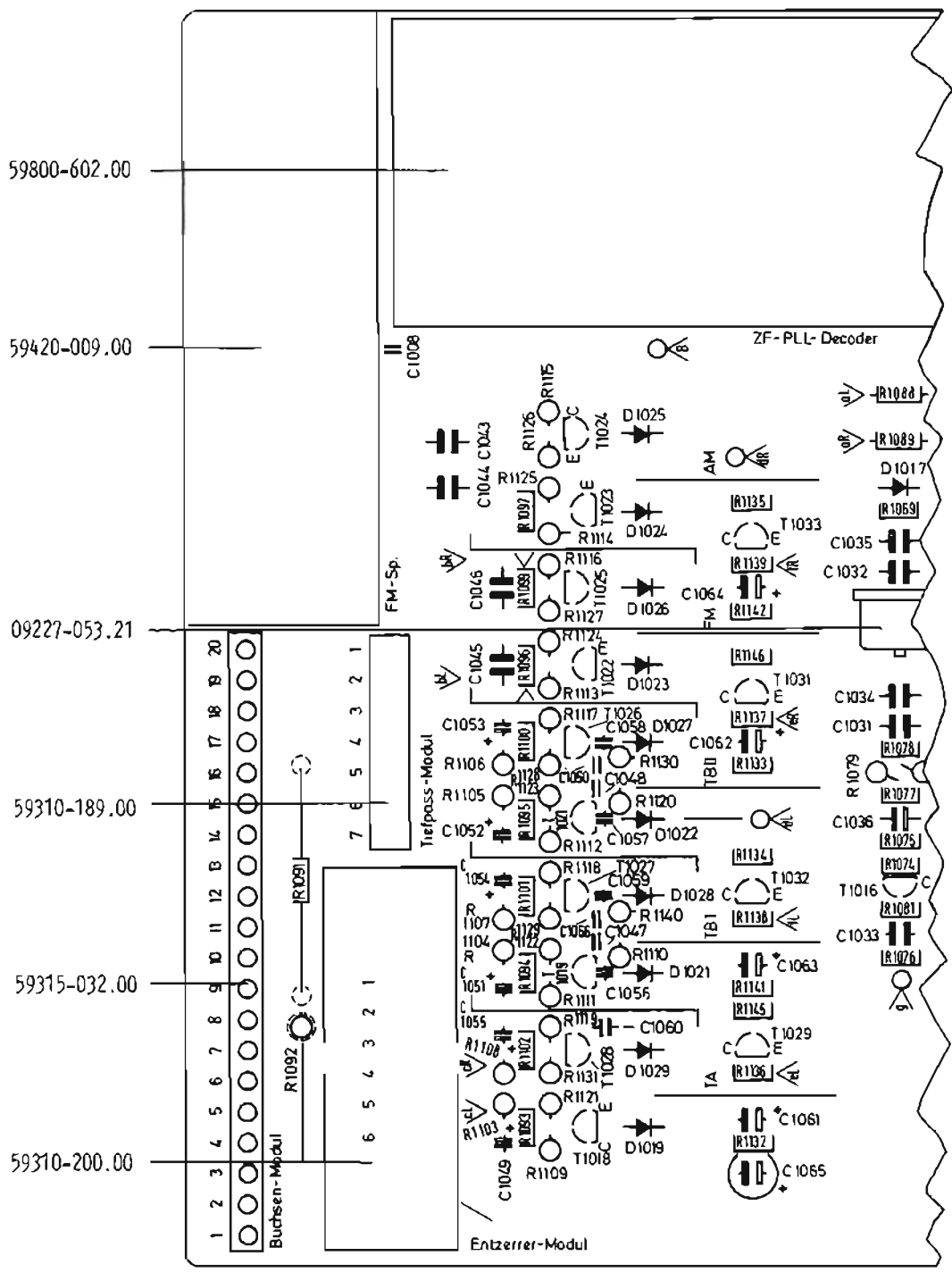
Pos. No.	Fig. No.	Bestell-Nr./Part No. Réf./Nr. d'ordinazioni	Benennung	Description	Désignation	Denominazione
Ab Pos. 11 sind alle Ausführungen gleich: From Pos. 11 all models are identical:					Toutes les versions sont identiques à partir de la pos. 11	
			<u>AM-FM-Chassis</u>	<u>AM-FM-Chassis</u>	<u>Chassis AM-FM</u>	<u>Chassis FM-AM</u>
11		59310-863.00	Anzeigeplatte	Indication plate	plaquette indicatrice	Piastra indicazione
12	6	50016-051.00	2x Kabelfeder	Cable spring	ressort	Molla del cavo
13	1	09623-081.97	2x Stereo-Kopfhörerbuchse	Stereo headphone socket	embase casque stéréo	Presca cuffia stereo
14	1	59500-037.00	2x Kippschalter 2-fach kpl. (Still u. AFC)	Tumbler switch 2-way compl. (Mute and AFC)	interrupteur cpl. (Still et AFC)	Commutat. a bilico 2x cpl. (sint. silen. ed AFC)
15		50016-053.00	2x Schalterwinkel	Switch bracket	équerre	Supporto compl.
16	1	50016-087.02	Skala kpl. (metallfinish)	Scale compl. (metallic finish)	cadran cpl. (métal.)	Scala cpl. (rifiniture in metallo)
16	1	50016-087.01	Skala kpl. (schwarz)	Scale compl. (black)	cadran cpl (noir)	Scala cpl. (nera)
16	1	50016-087.03	Skala kpl. (braun-metallic)	Scale compl. (metallic brown)	cadran cpl. (brun-métal.)	Scala cpl. (marrone-metallico)
16	1	50016-087.04	Skala kpl. (champagner-metallic)	Scale compl. (metallic champagne)	cadran cpl. (champagne-métal.)	Scala cpl. (champagne-metallico)
17		50016-031.00	Rückwanddeckel	Back panel cover	couvercle	Coperchio pannello poster.
18		50016-079.00	Kabelstange	Cable rod	tige	Stanghetta cavo
19		59701-023.97	Drehkondensator mit Abstimmwiderstand	Variable capacitor with tuning resistor	condensateur variable	Condensatore variabile con resist. di sintonia
19.1		59703-093.00	Abstimmwiderstand	(R knob) Tuning resistor	potentiomètre	Resistenza di sintonia
20	1	50016-038.01	Zeiger (metallfinish)	Pointer (metallic finish)	aiguille (métal)	Indice (rifiniture in metal.
20	1	50016-038.02	Zeiger (schwarz)	Pointer (black)	aiguille (noir)	Indice (nero)
20	1	50016-038.04	Zeiger (met. und champ.-metallic)	Pointer (metallic & metallic champagne)	aiguille (métal. et champagne-métal.)	Indice (met. e champ.-metallico)
21	6	50016-040.00	Zeigerkappe	Pointer cap	capot aiguille	Cappa indice
22		09612-155.97	Antriebsrad	Drive wheel	poulie C.V.	Puleggia di sintonia
23		09619-833.00	Ringfeder	Coil spring	ressort	Molla ad anello
24		50016-081.00	Rollenwinkel	Roller bracket	équerre	Supporto rullo
25		00813-001.02	8x Seilrolle Ø11	Pulley Ø11	poulie Ø11	Puleggia Ø11
26		09603-452.00	6x Hülse	Bush	douille	Guaina
27		09603-456.00	2x Hülse	Bush	douille	Guaina
28		09612-833.00	Schwungrad	Flywheel	cabestan	Volano
29	6	50016-033.00	Lagerplatte	Bearing plate	plaque support palier	Piastra boccola
30	1	09670-853.01	Drehknopf kpl. (metallic)	Rotary control comp. (metallic)	bouton cpl (métal.)	Manopola cpl. (metallico)
30	1	09670-853.02	Drehknopf kpl. (schwarz)	Rotary control comp. (black)	bouton cpl (noir)	Manopola cpl. (nera)
30	1	09670-853.03	Drehknopf kpl. (braun/etallic und champagner-metallic)	Rotary control comp. (metallic brown and metallic champagne)	bouton cpl. (brun-métal. et champagne-métal.)	Manopola cpl. (marron/metallico e champagne-metallico)
31	6	59751-011.00	Massefeder für Antrieb	Spring for drive	ressort	Molla di massa per trazione
32		8138-003-010	Polyamidschnur 25 lg.	Polyamide cord 25 long	ficelle polyamide	Cordino in plastica 25 lg.
33		8138-005-015	Skalenseil 38 lg. (Netzschalter)	Scale cord 38 long (mains switch)	ficelle cadran	Funicella scala 38 lg. (interruttore di rete)
34		09619-071.00	Zugfeder (25 Wdg.)	Tension spring (25 turns)	ressort (25 sp.)	Molla di trazione (25 sp.)
35		09619-121.00	Zugfeder (9 Wdg.) (Zeiger)	Tension spring (9 turns) (pointer)	ressort (9 sp.) (aiguille)	Molla di trazione (9 sp.) (Indice)
36		8138-007-021	2x Antriebschnur TE 50 P (schwarz) 43,5 lg./56,5 lg.	Drive cord TE 50 P (black) 43.5 long/56.5 long	ficelle d'entraîn. TE50 (noir) 43,5 mm/56,5 mm	Funicella di sint. TE 50 P (nero) 43,5 lg./56,5 lg.
37		09626-145.00	2x Lampenfassung	Lamp socket	support lampe	Zoccolo lampada
38		50016-057.00	3x Diodenbuchse	Diode socket	support diode	Presca del diodo
39	1	59705-034.97	Anzeigeeinstrument (metallfinish) (Frequenzanzeige)	Frequency meter (metallic finish)	indicateur (métal.) (fréquence-mètre)	Strumento indicatore (rifiniture in metallo) (indicatore di frequenza)
39	1	59705-045.97	Anzeigeeinstrument (schwarz) (Frequenzanz.)	Frequency meter (black)	indicateur (noir) (fréquence-mètre)	Strumento indicatore (nero) (indicat. frequenza)

Pos. No.	Fig. No.	Bestell-Nr./Part No. Réf./Nr. d'ordinazioni	Benennung	Description	Désignation	Denominazione
39	1	59705-053.97	Anzeigeeinstrument (braun/metallic) (Frequenzanzeige)	Frequency meter (metallic brown)	indicateur (brun-métal.) (fréquence-mètre)	Strumento indicatore (marrone-metallico) (indicatore di frequenza)
39	1	59705-062.97	Anzeigeeinstrument (champagner/metallic) (Frequenzanzeige)	Frequency meter (metallic champagne)	indicateur (champagne-métal.) (fréquence-mètre)	Strumento indicatore (champagne-metallico) (indicatore di frequenza)
40	1	59705-035.97	Anzeigeeinstrument (metallfinish) (Feldstärkeanzeige)	Field strength meter (Metallic finish)	indicateur (métal.) (intensité de champ)	Strumento indicatore (rifiniture in metallo) (indicat.intens.di campo)
40	1	59705-046.97	Anzeigeeinstrument (schwarz) (Feldstärkeanzeige)	Field strength meter (black)	indicateur (noir) (intensité de champ)	Strumento indicatore (nero) (indicat.intens.di campo)
40	1	59705-054.97	Anzeigeeinstrument (braun/metallic) (Feldstärkeanzeige)	Field strength meter (metallic brown)	indicateur (brun-métal.) (intensité de champ)	Strumento indicatore (marrone-metallico) (indicat.intens.di campo)
40	1	59705-063.97	Anzeigeeinstrument (champagner/metallic) (Feldstärkeanzeige)	Field strength meter (metallic champagne)	indicateur (champagne-métal.) (intensité de champ)	Strumento indicatore (champagne-metallico) (indicat.intens.di campo)
41		09619-806.00	4x Druckfeder (für Nr. 39/40)	Compression spring (for No. 39/40)	ressort (p. N° 39/40)	Molla di pressione (per no. 39/40)
63		09690-358.09	Netzleitung kpl.	Mains lead compl.	câble secteur cpl	Cavo rete cpl.
63		09690-358.04	Netzleitung kpl.(f.GB)	Mains lead compl.(f.GB)		Cavo rete cpl. (per GB)
63		09690-358.05	Netzleitung kpl.(f. Exp.)	Mains lead compl.(f.exp.)		Cavo rete cpl. (per Exp.)
64		09666-448.00	Netzkabel-Zugentlastung	Mains lead cord grip	arrêteur de câble	Fermacavo cavo rete
65		8309-990-213	LE-Diode CQY 72 lg.	{85003/5002}LED CQY 72 long	diode électro-lum.	Diodo LED CQY 72 lg.
66		8309-990-124	LE-Diode CQY 40 lg.	{05003} LED CQY 40 long	diode électro-lum.	Diodo LED CQY 40 lg.
67		8316-113-009	Lampe 6-7V/0,3A	{LA5003/5002}Lamp 6-7V/0.3A	lampe	Lampada 6-7V/0,3A
68		8316-453-004	Zwerglampe 7V/80mA	{LA5003} Miniature lamp	lampe	Lampada miniatur.7V/80mA
69		8705-227-051	Metall oxyd widerstand 0411/1200/5%	{R5002} Metal oxide resis.	résistance métal-oxy	Resistenza ad ossido 0411/120 Ohm/5%
70		55509-008.01	8x Zierkappe(metallfinish) (f.Nr.14/251...255)	Ornamental cap (met.finish) (for No. 14/251...255)	capot (métal) (p. N° 14/251...255)	Coper.ornament.(rifin.met.) (p.Nr.14/251...255)
70		55509-008.02	8x Zierkappe(schwarz) (f.Nr.14/251...255)	Ornamental cap(black) (for No.14/251...255)	capot (noir) (p. N° 14/251...255)	Coper.ornament.(nero) (per Nr.14/215...255)
70		55509-008.03	8x Zierkappe(braun-metallic/champagner-metallic) (f.Nr.14/251...255)	Ornamental cap(met.brown/metallic champagne) (for No.14/251...255)	capot (brun-métal./champagne-métal.) (p. N° 14/251...255)	Coper.ornament.(marr/metal. champagne-metallico) (p.Nr.14/251...255)
71		55509-009.01	Zierkappe m. Markierung (metallfinish) (für Nr. 250)	Ornamental cap w. marking (Metallic finish) (for No. 250)	capot avec repère (métal.) (p. N° 250)	Coper.ornament.con marca (rifiniture in metallo) (per Nr. 250)
71		55509-009.02	Zierkappe m. Markierung (schwarz)(f.Nr.250)	Ornamental cap w. marking (black)(for No. 250)	capot avec repère (noir) (p. N° 250)	Coper.ornament.con marca (nero)(per Nr. 250)
71		55509-009.03	Zierkappe m. Markierung (braun/metallic und champagner-metallic) (f.Nr.250)	Ornamental cap w. marking (metallic brown and metallic champagne) (for No. 250)	capot avec repère (brun-métal et champagne-métal.) (p. N° 250)	Coper.ornament.con marca (marr.metallico e champagne-metallico) (per Nr. 250)
72	1	09670-864.01	8x Tastenkopf (metallfinish/schwarz)	Push button (metallic finish/black)	touche (métal/noir)	Pulsante (rifinit/metall./nero)
72	1	09670-864.03	8x Tastenkopf (braun-metallic und champagner-metallic)	Push button (metallic brown and metallic champagne)	touche (brun-métal. et champagne-métal.)	Pulsante (marrone-metallico e champagne-metallico)
73	1	09670-865.01	4x Tastenkopf (metallfinish/schwarz)	Push button (metallic finish/black)	touche (métal/noir)	Pulsante (rifinit.in metallo/nero)
73	1	09670-865.03	4x Tastenkopf (braun-metallic/ und champagner-metallic)	Push button (metallic brown/and metallic champagne)	touche (brun-métal/ et champagne-métal.)	Pulsante (marrone-metallico/e champagne-metallico)

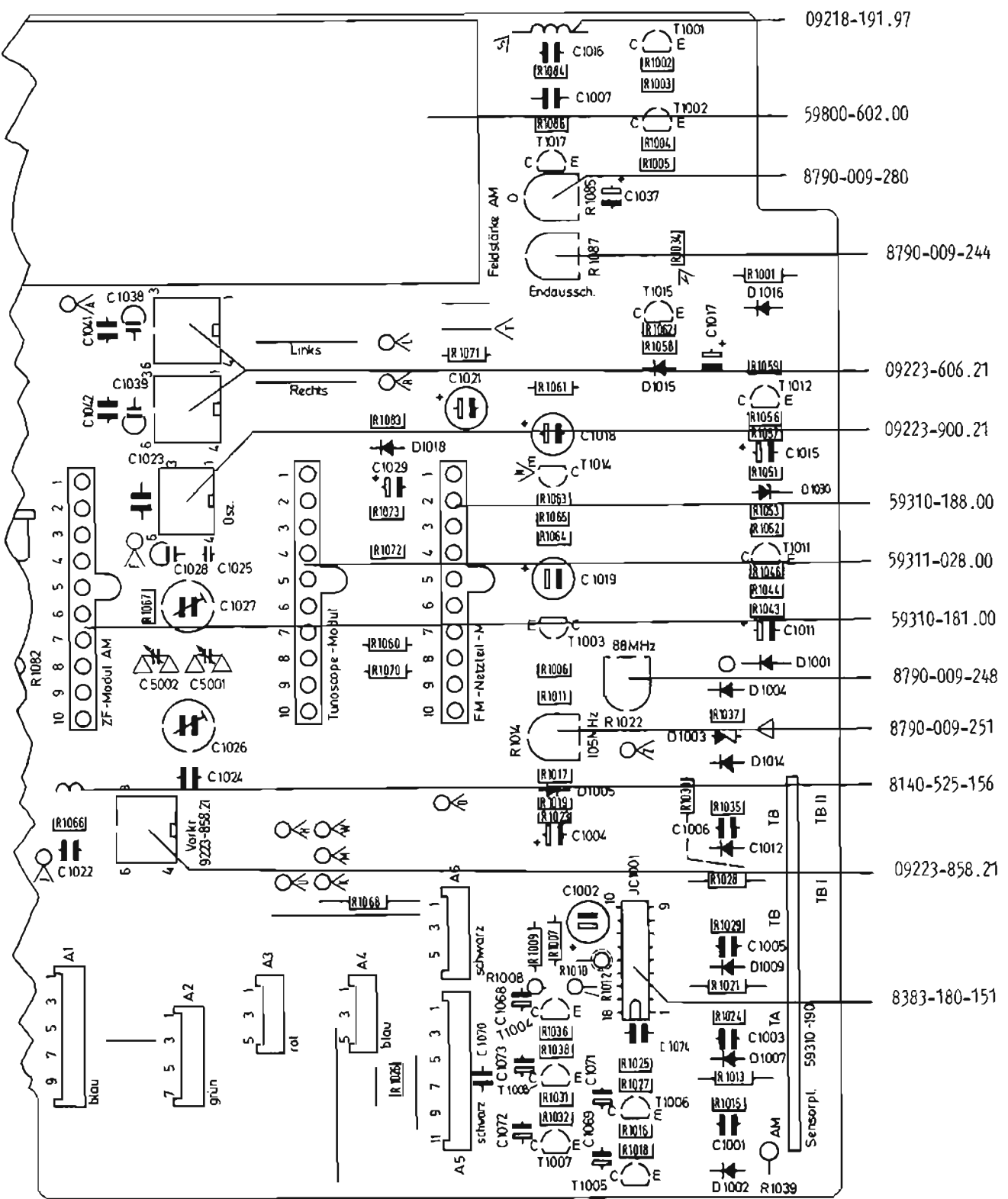
Pos. No.	Fig. No.	Bestell-Nr./Part No. Réf./Nr. d'ordinazioni	Benennung	Description	Désignation	Denominazione
86	2b	09223-858.21	MW-Vorkreis-spule	MW-RF-coil pack	bobine accord PO	bobina ingresso OM
87	2b	09223-606.21	2x Filter-Spule (19 KHz)	coil (19 KHz)	bobine (19 kHz)	bobina filtro (19 kHz)
88	2b	09223-900.21	MW-Oszillator-spule	MW-oscillator coil	bobine osc. PO	bobina oscillatore OM
89		09647-650.97	Ferrit-Abgleichkern (f.Nr.86/87/88)	ferrite alignment core (f.No.86/87/88)	noyau (pr Nr. 86/87/88)	nucleo taratt. in fer.
90		09647-950.97	Rahmenkern (f.Nr.86/87)	frame core (f.No.86/87)	noyau (pr Nr. 86/87)	nucleo avvolgente
91	2b	09227-053.21	NF-Drossel	AF-choke	bobine BF	impedenza BF
92	2b	09218-191.97	Ferritdrossel	ferrite choke	bobine	impedenza in ferrite
93	2b	8140-525-156	HF-Drossel 560µH/10%	HF-choke 560µH/10%	bobine HF	impedenza AF
95	2b	8383-180-151	Integr. Schaltung SAS 590	(IC1001)integr. circuit SAS 590	circuit intégré	circuito integrato
97		8302-202-558	Transistor BC 558	(T1001/1002)transistor	transistor	transistor
98		8302-202-555	15x Transistor BC 550 C	transistor BC 550 C	transistor	transistor
99		8302-202-562	5x Transistor BC 557	transistor BC 557	transistor	transistor
100		8302-202-543	Transistor BC 548 B	(T1011/1015)transistor	transistor	transistor
101		8302-202-560	Transistor BC 558 C	(T1012)transistor	transistor	transistor
102		8302-200-542	Transistor BC 546 B	(T1014)transistor	transistor	transistor
103		8302-200-550	Transistor BC 549 B	(T1016)transistor	transistor	transistor
104		8302-200-548	Transistor BC 548 C	(T1017)transistor	transistor	transistor
108		8309-201-007	12x Diode BA 181	diode BA 181	diode	diodo
109		8309-201-042	10x Diode BA 318	diode BA 318	diode	diodo
110		8309-701-109	Zener-Diode BZX 83/C8/V2	(D1033)zener-diode	diode zener	diodo zener
110a		8309-702-010	Zener-Diode BZX 83/C10	(D1030)zener-diode	diode zener	diodo zener
111		19799-323.91	Trimmer 3/15pF	(C1027)min.pre-set cap.	cond. ajust.	trimmer capacitivo
112		19799-323.97	Trimmer 3/15pF	(C1026)min.pre-set cap.	cond. ajust.	trimmer capacitivo
113		8705-227-085	Metall-oxidwiderstand 0411/3,3KΩ/5%	(R1092)metal oxide resis. 0411/3,3KΩ/5%	rés. métal-oxyde	resistenza ad ossido
114	2b	8790-009-244	Einstellregler 3KΩ	(R1087)min.pre-set pot.	pot. ajust.	trimmer ohmico
115	2b	8790-009-248	Einstellregler 5KΩ	(R1022)min.pre-set pot.	pot. ajust.	trimmer ohmico
116	2b	8790-009-251	Einstellregler 10KΩ	(R1014)min.pre-set pot.	pot. ajust.	trimmer ohmico
117	2b	8790-009-280	Einstellregler 2MΩ	(R1085)min.pre-set pot.	pot. ajust.	trimmer ohmico
113		8700-201-063	Widerstand B 0309 NB	(R1061)resistor 80309 NB	résistance	resistenza
118a		8700-201-065	Widerstand B 0207 NB	(R1039)resistor 80309 NB	résistance	resistenza
119		8700-231-087	Widerstand B 0309 NB	(R1010/1012/1091)resistor	résistance	resistenza
			<u>FM-Spulensatz-Modul</u>	<u>FM-unit set module</u>	<u>Bloc FM</u>	<u>Mod. unità bob. FM</u>
120	2a	59420-009.00	FM-Spulensatz-Modul	FM-coil-pack unit	bloc FM	modulo unità bob. FM
121		59420-301.01	Haube	cover	couvercle	coperchio
122	3	09226-066.01	UKW-Eingangskreis-spule	FM-input coil pack	bob. entrée FM	bobina ingresso FM
123	3	09226-121.01	UKW-Vorkreis-spule I	FM-RF-coil I	bob. accord FM I	bobina ingresso FM I
124	3	09226-122.01	UKW-Vorkreis-spule II	FM-RF-coil II	bob. accord FM II	bobina ingresso FM II
125		09647-681.97	UKW-Abgleichkern (f.Nr.122/123/124)	FM-alignment core (f.No.122/123/124)	noyau (pr Nr. 122/123/124)	nucleo di taratura FM
126	3	09226-186.01	UKW-Oszillator-spule	FM-oscillator coil pack	bob. osc. FM	bobina oscillatore FM
126a		09647-656.97	Abgleichkern	alignment core	noyau	nucleo di taratura
127	3	09226-707.01	ZF-Spule	IF-coil	bobine FI	bobina FI
128	3	09226-708.01	ZF-Spule	IF-coil	bobine FI	bobina FI
129		09647-684.96	Abgleichkern (f.Nr.127/128)	alignment core (f.No.127/128)	noyau (pr Nr. 127/128)	nucleo di taratura
130		09239-005.00	UHF-Drossel	FM-choke	bobine UHF	impedenza UHF
131		09647-020.97	Ferritperle	ferrite bead	perle ferrite	perlina in ferrite
132		8302-220-034	Transistor BF 241	(T303)transistor BF241	transistor	transistor
133		8302-220-414	Transistor BF 414	(T301)transistor BF414	transistor	transistor
134		8302-220-087	Transistor BF 324	(T302)transistor BF324	transistor	transistor
135		8309-510-013	Diode BB 104 blau	(D30 /30)diode BB104 blue	diode	diodo blu
136		8309-510-014	Diode BB 104 grün	(D30 /30)diode BB104 green	diode	diodo verde

Pos. No.	Fig. No.	Bestell-Nr./Part No. Réf./Nr. d'ordinazioni	Benennung	Description	Désignation	Denominazione
137	3	19799-331.91	Trimmer 2/6pF	(C314)	cond. ajustable	Trimmer 2/6 pF
138	3	19799-333.91	Trimmer 3/15pF	(C303/313)	cond. ajustable	Trimmer 3/15 pF
139	3	19799-334.91	Trimmer 4/20pF	(C311)	cond. ajustable	Trimmer 4/20 pF
140		8700-239-053	Widerstand B 0309 NB/150Ω	(R324) Resistor	résistance	Resist.B 0309 NB/150 Ohm
			<u>Tiefpass-Modul-Platte</u>	<u>Low-pass module PCB</u>	<u>C.I. filtre passe-bas</u>	<u>Piastra modulo passa-basso</u>
145	2a	59310-189.00	Tiefpass-Modul-Platte	Low-pass module PCB	C.I. filtre passe-bas	Piastra modulo passa-basso
146		8302-202-555	Transistor BC 550 C	(T651/649)	transistor	Transistore BC 550 C
			<u>Tast-Platte</u>	<u>Push button PCB</u>	<u>C.I. touches</u>	<u>Piastra tasti</u>
150		59315-077.00	Tast-Platte kpl. 4-fach	Push button PCB comp.4-fold	C.I. touches cpl	Piastra tasti cpl. 4x
151		59752-017.00	Diодenhalter 4-fach	Diode holder 4-fold	support diodes	Supporto diodo 4x
152		59500-044.01	4x Kurzhub-Schalter 2-pol.		interrupteur	Commut.a breve corsa 2 pc
153		8309-920-086	LE-Diode CQY 86	(D10...13)	diode électro-lum.	Diode LED CQY 86
			<u>Diодen-Modul-Platte</u>		<u>C.I. diodes électro-lum</u>	<u>Piastra modulo diodi</u>
157		59310-183.00	Diодen-Modul-Platte kpl.		C.I. diodes LED cpl	Piastra modulo diodi cpl.
158		8309-920-085	LE-Diode CQY 85	(D21/22)	diode électro-lum.	Diodo LED CQY 85
159		8309-920-086	LE-Diode CQY 86	(D23)	diode électro-lum.	Diodo LED CQY 86
			<u>Tunoscope-Modul-Platte</u>	<u>Tunoscope module PCB</u>	<u>C.I. tunoscope</u>	<u>Piastra modulo tunoscope</u>
170	2b	59311-028.00	Tunoscope-Modul-Platte	Tunoscope module PCB	C.I. tunoscope	Piastra modulo tunoscope
173		8305-204-324	Integr. Schaltung LM 324 N	(IC 501) Integr. circuit	circuit intégré	Circuito integrato LM 324 N
174		8302-220-005	Transistor BF 254	(T502)	transistor	Transistore BF 254
175		8302-200-169	Transistor BC 338-25	(T501)	transistor	Transistore BC 338-25
176		8302-202-543	Transistor BC 548 B	(T503)	transistor	Transistore BC 548 B
177		8309-201-055	Diode BA 317	(D504/501/502)	diode	Diodo BA 317
178		8309-701-107	Diode BZX 83/C5/V6	(D505)	diode	Diodo BZX 83/C5/V6
179		8309-201-007	Diode BA 181	(D504)	diode	Diodo BA 181
			<u>Regler-Modul-Platte I</u>	<u>Control module PCB I</u>	<u>C.I. potentiomètres I</u>	<u>Piastra mod.regolat.I</u>
185		59311-033.00	Regler-Modul-Platte I	Control module PCB I	C.I. potentiomètres I	Piastra mod.regolat.I
190		8302-200-554	Transistor BC 550 C	(T401/402)	transistor	Transistore BC 550 C
191		8302-200-552	Transistor BC 550 B	(T403/404)	transistor	Transistore BC 550 B
192		8309-201-055	Diode BA 317	(D403/404)	diode	Diodo BA 317
193		8309-707-110	Zener-Diode ZPD 6,8	(D401/402)	diode zener	Diodo Zener ZPD 6,8
194		59703-114.97	Potentiometer 2x100KΩ KN 53114 (Lautstärke)	(R401/402) KN 53114 (volume)	potentiomètre (volume)	Potenzio metro 2x100 kOhm KN 53114 (volume)
195		59703-117.97	Potentiometer 2x6KΩ KN 53117 (Balance)	(R416/417)	potentiomètre (balance)	Potenzio metro 2x6 kOhm KN 53117 (bilanciamento)
196		8700-351-015	Widerstand Z 0414 NB	(R403) Resistor	résistance	Resistenza Z 0414 NB
			<u>Regler-Modul-Platte II</u>	<u>Control module PCB II</u>	<u>C.I. potentiomètres II</u>	<u>Piastra modulo regolat.II</u>
205		59315-060.00	Regler-Modul-Platte II	Control module PCB II	C.I. potentiomètres II	Piastra modulo regolat.II
208		09227-096.21	2x NF-Drossel	AF choke	bobine BF	Impedenza BF
209		8302-202-567	Transistor BC 560 C	(T451/452)	transistor	Transistore BC 560 C
210		8302-200-552	Transistor BC 550 B	(T453...456)	transistor	Transistore BC 550 B
211		59703-116.97	Potentiometer 2x100KΩ KN 53116 (Höhen)	(R453/461) KN 53116 (treble)	potentiomètre (aiguës)	Potenzio metro 2x100 kOhm KN 53116 (alti)
212		59703-115.97	Potentiometer 2x200KΩ KN 53115 (Bass)	(R456/457)	potentiomètre (graves)	Potenzio metro 2x200 kOhm KN 53115 (bassi)





2b



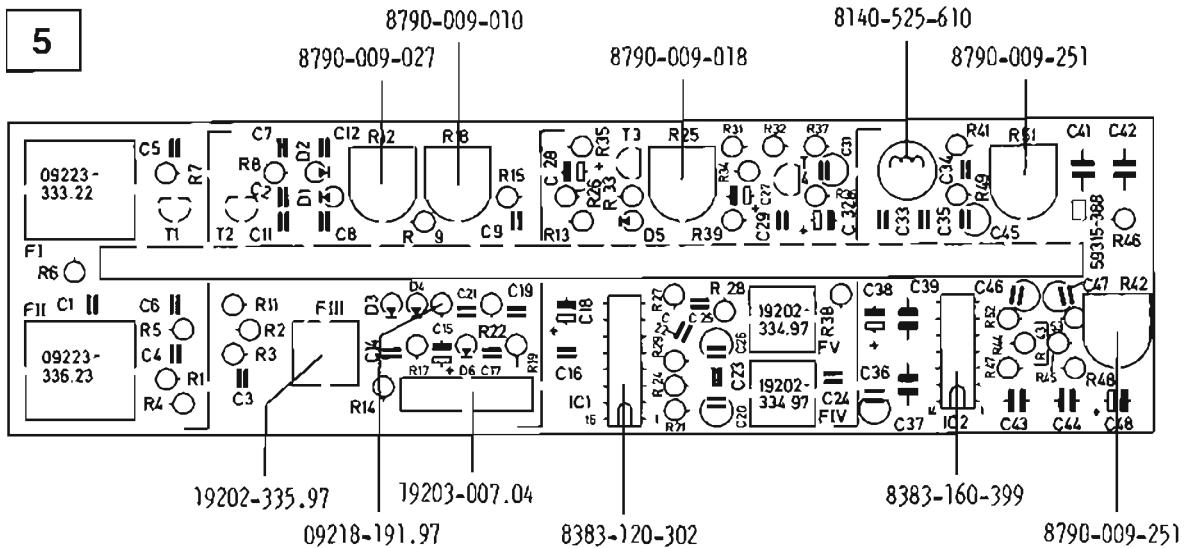
- 09218-191.97
- 59800-602.00
- 8790-009-280
- 8790-009-244
- 09223-606.21
- 09223-900.21
- 59310-188.00
- 59311-028.00
- 59310-181.00
- 8790-009-248
- 8790-009-251
- 8140-525-156
- 09223-858.21
- 8383-180-151

Pos. No.	Fig. No.	Bestell-Nr./Part No. Réf./Nr. d'ordinazioni	Benennung	Description	Désignation	Denominazione
213		59703-118.97	Potentiometer	(R465/486)	potentiomètre	Potenziometro
214		8700-231-073	Widerstand 80309 NB/1KΩ	(R473/474) Resistor	résistance	Resist.80309 NB/1 kOhm
			<u>Speicher-Platte</u>	<u>Memory PCB</u>	<u>C.I. mémoire</u>	<u>Piastra memoria</u>
220		59310-187.00	Speicherplatte kpl.	Memory PCB compl.	C.I. mémoire cpl	Piastra memoria
221		59410-519.00	Speichereinheit 7-fach	Memory unit 7-fold	bloc mémoire	Unità di memoria 7x
			<u>FM-Netzteil-Modul-Platte</u>	<u>FM power supply mod.PCB</u>	<u>C.I. bloc secteur FM</u>	<u>Piastra mod.aliment.FM</u>
230	2b	59310-188.00	FM-Netzteil-Modul-Pl.kpl.	FM power supply mod.PCB comp	C.I. bloc secteur FM	Pias.mod.aliment.FM cpl.
232		8383-100-102	Integr. Schaltung TCA530	(1C201) Integr. circuit	circuit intégré	Circuito integ. TCA 530
233		8302-220-036	Transistor BF 245 A	(R201)	transistor	Transistore BF 245 A
234		8309-201-007	Diode BA 181	(R291)	diode	Diodo BA 181
235		8705-227-085	Metalloxydwiderstand 0411/3,3KΩ/5%	(R201) Metal oxide resist.	rés. métal-oxyde	Resistenza ad ossido 0411/3,3 kOhm/5%
236		8790-209-251	Einstellregler 10KΩ	(R203) Potentiometer	pot. ajustable	Regolatore 10 kOhm
237		8700-359-013	Widerstand Z 0414 NB	(R207) Resistor	résistance	Resistenza Z 0414 NB
			<u>Schalter-Modul-Platte</u>	<u>Switch module PCB</u>	<u>C.I. interrupteur</u>	<u>Piastra modulo commutatori</u>
249		59315-055.00	Schalter-Modul-Platte kpl.	Switch module PCB compl.	C.I. interrupteur cpl	Piastra modulo commut.cpl.
250	1	59500-028.00	Kippschalter kpl. 2-fach (Aus)	Tumbler switch compl. 2-way (off)	interrupteur cpl (aus = arrêt)	Commutat.a bilico cpl. 2 x (disinserito)
251	1	59500-029.00	2x Kippschalter kpl. 4-fach	(L1/2) Tumbler switch compl 4-way	interrupteur cpl (L1/2)	Commutat.a bilico cpl. 4 x
252	1	59500-033.00	Kippschalter kpl. 2-fach(mono-stereo)	Tumbler switch compl. 2-way (mono-stereo)	interrupteur cpl (mono-stéréo)	Commutat.a bilico cpl. (2 x (mono-stereo))
253	1	59500-031.00	Kippschalter kpl. 4-fach (Lin./Cont.)	Tumbler switch compl. 4-way(Lin./Cont.)	interrupteur cpl (Lin./Cont.)	Commutat.a bilico cpl. 4 x (Lin./Cont.)
254	1	59500-030.00	Kippschalter kpl. 4-fach (Monitor)	Tumbler switch compl. 4-way (Monitor)	interrupteur cpl (monitor)	Commutat.a bilico cpl. 4 x (Monitor)
255	1	59500-034.00	Kippschalter kpl. 2-fach (Rausch)	Tumbler switch compl. 2-way (Noise)	interrupteur cpl (filtre anti-souffle)	Commutat.a bilico cpl. 2 x (fruscio)
259		19430-002.00	FM-Stereo-Drossel	FM-stereo choke	bobine stéréo FM	Impedenza stereo FM
260		8302-200-554	Transistor BC 550 C	(T601/602)	transistor	Transistore BC 550 C
261		8302-200-562	Transistor BC 560 B	(T603/604)	transistor	Transistore BC 560 B
262		8700-201-063	Widerstand B 0207NB/390Ω	(R619) Resistor	résistance	Resist.B 0207NB/390 Ohm
			<u>Programm-Modul-Platte 8-fach</u>	<u>Programme module PCB 8-way</u>	<u>C.I. programmation</u>	<u>Piastra modulo program. 8 x</u>
270		59315-078.00	Programm-Modl-Pl. kpl.	Programme module PCB compl	C.I. programmation cpl	Piastra modulo progr.cpl.
271		8305-305-058	Integr. Schaltung SAS 580	(1C1) Integr. circuit	circuit intégré	Circuito integrato SAS 580
272		8383-180-151	Integr. Schaltung SAS 590	(1C 2) Integr. circuit	circuit intégré	Circuito integrato SAS 590
273		8700-201-087	Widerstand B 0207 NB/3,9KΩ	(R10/12/13/20) Resistor	résistance	Resist.B 0207 NB/3,9 kOhm
			<u>Tast-Platte 8-fach</u>	<u>Push button PCB 8-way</u>	<u>C.I. touches</u>	<u>Piastra tasti 8 x</u>
275		59311-079.00	Tast-Platte 8-fach	Push button PCB 8-way	C.I. touches	Piastra tasti 8 x
276		59752-016.00	2x Diodenhalter 4-fach	Diode holder 4-way	support diodes	Supporto diodo 4 x
277		59500-044.01	8x Kurzhub-Schalter 2-pol.	Short travel switch 2-way	interrupteur	Commutat.a corsa breve 2p.
278		8309-920-086	8x LE-Diode CQY 86		diode électro-lum.	Diodo LED CQY 86

Pos. No.	Fig. No.	Bestell-Nr./Part No. Réf./Nr. d'ordinazioni	Benennung	Description	Désignation	Denominazione
			<u>Buchsen-Modul-Platte</u>	<u>socket module-plate</u>	<u>C.I. embases</u>	<u>Modulo prese</u>
285	2a	59315-032.00	Buchsen-Modul-Platte	socket module-plate	C.I. embases	modulo prese
287		09622-388.02	5x Zwergsteckdose	socket	embase	presa miniaturizzata
288		09625-475.00	Antennenbuchse kpl.	aerial socket compl.	embase antenne cpl.	presa antenna compl.
289		09218-024.01	HF-Drossel	HF-choke	bobine HF	impedenza AF
290		09647-022.97	Ferritperle	ferrite bead	perle ferrite	perlina in ferrite
			<u>ZF-Modul-Platte AM</u>	<u>IF-module AM</u>	<u>C.I. FI en AM</u>	<u>Piastra FI AM</u>
300	2b	59310-181.00	ZF-Modul-Platte kpl.	IF-module compl.	C.I. FI cpl.	piastra mod. FI compl.
301		19202-326.97	ZF-Filter	IF-filter	FI	filtro FI
302		19202-328.97	ZF-Filter	IF-filter	FI	filtro FI
303		09647-020.97	Ferritperle	ferrite bead	perle ferrite	perlina in ferrite
304		19203-034.97	Ker.-Filter 460KHz	cer.filter 460KHz	filtre céramique	filtro ceramico
304		19203-035.97	Ker.-Filter 452KHz(f.BE)	cer.filter 452KHz(f.BE)		filtro ceramico
306		8383-120-401	Integr. Schaltung TCA 440	(IC 101)integr. circuit TCA 440	circuit intégré	circuito integrato
307		8302-200-233	Transistor BC 308 A	(T101)transistor BC308	transistor	transistor
308		8302-220-046	Transistor BF 255	(T102)transistor BF255	transistor	transistor
309		8309-001-106	Diode AA 143	(D101)diode AA 143	diode	diodo
310		8700-239-053	Widerstand B0309 NB	(R101)resistor B0309 NB	résistance	resistenza
			<u>Entzerrer-Modul-Platte</u>	<u>equaliser module</u>	<u>C.I. correcteur</u>	<u>Modulo equalizzatore</u>
320	2a	59310-200.00	Entzerrer-Modul-Platte	equaliser plate compl.	C.I. correcteur	piastra mod. equaliz.
321		8383-120-525	Integr. Schaltung SN 76131 NS 58	(IC 851)integr. circuit SN 76131 NS 58	circuit intégré	circuito integrato
322		8309-703-230	Zener-Diode ZPD 20	(D851)zener-diode ZPD 20	diode zener	diodo zener
323		09647-020.97	Ferritperle	ferrite bead		
			<u>NF-Modul</u>	<u>AF-printed circuit</u>	<u>C.I. BF</u>	<u>Modulo BF</u>
330		09623-136.00	Thermoschalter	thermo switch	disjoncteur thermique	interruttore termico
331		50016-046.00	Kappe für Thermoschalter	cover f. thermo switch	capot pour disjoncteur	cappa per interrutto.
336		09605-501.97	2x Glimmerscheibe	mica washer	rondelle mica	rondella in mica
337		09605-502.97	2x Glimmerscheibe	mica washer	rondelle mica	rondella in mica
338		09621-113.02	6x Sicherungshalter	fuse holder contact	support fusible	portafusibile
342	4	09218-154.01	2x Ferritdrossel	ferrite choke	bobine	impedenza in ferrite
343		09647-022.97	3x Ferritperle	ferrite bead	perle ferrite	perlina in ferrite
344		19799-014.03	Transistor-Paar G 6004/6005	(T2009/2008 transistor-T3009/3008) pair	transistor	coppia transistor
345		8302-210-018	Transistor BD 135-16	(T904)transistor BD135	transistor	transistor
346		8302-210-053	Transistor BD 135-6	(T2005/3005) transistor	transistor	transistor
347		8302-210-155	Transistor BD 139	(T902)transistor BD139	transistor	transistor
348		8302-400-106	Transistor MPS-L0 1	(T903)transistor MPS-L0 1	transistor	transistor
349		8302-212-517	Transistor BD 517-5	(T2004/3004) transistor	transistor	transistor
350		8302-202-127	Transistor BC 238 B	(T2006/3006)transistor	transistor	transistor
351		8302-200-329	Transistor BC 328-25/40	(T2007/3007)transistor	transistor	transistor
352		8302-202-559	Transistor BC 559 B	(T2002/3002)transistor	transistor	transistor
353		8302-202-561	Transistor BC 559 C	(T2001/3001/2003/3003) transistor BC 559 C	transistor	transistor
354		8309-706-103	Diode MZF 16	(D902)diode MZF 16	diode	diodo
355		8309-713-101	Diode MZD 56	(D903)diode MZD 56	diode	diodo
356		8309-215-021	5x Diode 1N 4001	diode 1N 4001	diode	diodo
357		8309-215-009	Diode 1N 4002	(D905/906)diode 1N 4002	diode	diodo
358		8309-715-011	Zener-Diode BZX 83/C6/V2	(D901)zener-diode BZX 83	diode zener	diodo zener
359		8309-201-007	4x Diode BA 181	diode BA 181	diode	diodo
360	4	8308-538-017	Gleichrichter B80/C1500/1000	(G1.901)rectifier B80/C1500/1000	redresseur	raddrizzatore

Pos. No.	Fig. No.	Bestell-Nr./Part No. Réf./Nr. d'ordinazioni	Benennung	Description	Désignation	Denominazione
361	4	8446-597-210	Elko 1000µF/40V	(C912)elco 1000µF/40V	cond. chimique	condens. elettrolit.
362	4	8410-001-007	Elko 10000µF/30V	(C914/915)elco 10000µF	cond. chimique	condens. elettrolit.
363		8705-227-253	Metalloxydwiderstand 0411/150Ω/10%	(R916/919)metal oxide resistor 0411/150Ω/10%	rés. métal-oxyde	resistenza ad ossido
364		8705-227-257	Metalloxydwiderstand 0411/220Ω/10%	(R917/918)metal oxide resistor 0411/220Ω/10%	rés. métal-oxyde	resistenza ad ossido
365		8705-227-067	Metalloxydwiderstand 0411/560Ω/5%	(R2013/3013) metal oxide resistor 0411/560Ω/5%	rés. métal-oxyde	resistenza ad ossido
366		8705-227-085	Metalloxydwiderstand 0411/3,3KΩ/5%	(R905)metal oxide resis. 0411/3,3KΩ/5%	rés. métal-oxyde	resistenza ad ossido
367		8705-269-043	Metalloxydwiderstand 0617/56Ω/5%	(R2018/3018)metal oxide resistor 0617/56Ω/5%	rés. métal-oxyde	resistenza ad ossido
368		8705-269-049	Metalloxydwiderstand 0617/100Ω/5%	(R2012/3012)metal oxide resistor 0617/100Ω/5%	rés. métal-oxyde	resistenza ad ossido
369		8705-369-229	Metalloxydwiderstand 0617/15Ω/10%	(R2033/3033)metal oxide resistor 0617/15Ω/10%	rés. métal-oxyde	resistenza ad ossido
370		8705-311-201	Metalloxydwiderstand S 0411/1Ω/10%	(R921/922)metal oxide resistor S 0411/1Ω/10%	rés. métal-oxyde	resistenza ad ossido
371		8730-182-029	4x Drahtwiderstand 9W/0,47Ω/5%	k-type rasistor 9W/0,47Ω/5%	rés. bobinée	resistenza a filo
372	4	8790-009-010	Einstellregler 1KΩ	(R2016/3016)min.pre-set pot. 1KΩ	pot. ajust.	trimmer ohmico
373		8700-239-007	Widerstand B 0309NB/47Ω	(R2022/3022/R906)res. B 0309 NB/47Ω	résistance	resistenza
374		8700-239-004	Widerstand B 0309NB/22Ω	(R911/913/914)resistor B 0309NB/22Ω	résistance	resistenza
376		8700-339-012	Widerstand Z 0309 NB/330Ω	(R2024/3024)resistor Z 0309 NB/330Ω	résistance	resistenza
377		8700-339-013	Widerstand Z 0309 NB/390Ω	(R2014/3014)resistor Z 0309 NB/390Ω	résistance	resistenza
378		8700-339-016	Widerstand Z 0309 NB/680Ω	(R2029/3029)resistor Z 0309 NB/680Ω	résistance	resistenza
379		8700-339-018	Widerstand Z 0309 NB/1KΩ	(R2028/3028)resistor Z 0309 NB/1KΩ	résistance	resistenza
380		8700-239-075	Widerstand B 0309 NB/1,2KΩ	(R909)resistor B 0309 NB/1,2KΩ	résistance	resistenza
385		59310-177.00	LS-BUCHSENPLATTE KPL.	speaker socket module	C.I. embases HP	piastra presa altop.
385.1		09622-435.97	2x Lautsprecherbuchse (schwarz)	speaker socket (black)	embase HP (noir)	presa altoparlante (nero)
385.2		09622-555.97	2x Lautsprecherbuchse (grün)	speaker socket (green)	embase HP (vert)	presa altoparlante (verde)
385.3		8705-329-070	Metalloxydwiderstand 0411/150Ω/10%	(R751/754)metal oxide resis. 0411/150Ω/10%	rés. métal-oxyde	resistenza ad ossido
385.4		8705-329-077	Metalloxydwiderstand 0411/220Ω/10%	(R752/753)metal oxide resis. 0411/220Ω/10%	rés. métal-oxyde	resistenza ad ossido
			<u>Netztrafo-Modul</u>	<u>mains transformer unit</u>	<u>C.I. transfo.</u>	<u>Modulo alimentazione</u>
390		59800-608.00	Netztrafo-Modul kpl.	mains transf. module compl.	C.I. transfo. cpl.	modulo alim. compl.
395		09621-113.02	6x Sicherungshalter	fuse holder contact	support fusible	portafusibile
396		8308-475-970	Gleichrichter B40/C2200	(G1.701)rectifier B 40/C 2200	redresseur	raddrizzatore
397		09622-961.00	Zugschalter 2-pol.	2-pole switch	interrupteur	commut. a trazione
398		00813-001.01	Seilrolle	pulley	poulie	puleggia
399		09603-452.00	Hülse	sleeve	douille	guaina
400		09007-013.01	Netztrafo	mains transformer	transfo. alim.	trasformatore rete

Pos. No.	Fig. No.	Bestell-Nr./Part No. Réf./Nr. d'ordinazioni	Benennung	Description	Désignation	Denominazione
			ZF-PLL-Decoder-Steckmodul	IF-PLL-decoder module	Décodeur FI-PLL	Modulo decoder PLL FI
405	2a/b	59800-602.00	ZF-PLL-Decodersteckm.	IF-PLL-decoder module	décodeur FI-PLL	Modulo decoder PLL FI
406	5	19203-007.04	Keramik-Filter	filter	FI	filtro
407	5	09223-333.22	ZF-Filter	IF-filter	FI	filtro FI
408	5	09223-336.23	ZF-Filter	IF-filter	FI	filtro FI
409		09647-951.97	Rahmenkern (f.Nr.407/408)	frame core (f.No.407/408)	noyau (pr Nr. 407/408)	nucleo avvolgente
410		09647-652.97	Ferritabgleichkern (f.Nr.407/408)	ferrite alignment core (f.No.407/408)	noyau réglage (pr Nr. 407/408)	nucleo di taratura in ferrite
411	5	19202-335.97	ZF-Filter	IF-filter	FI	filtro FI
412	5	19202-334.97	2x ZF-Filter	IF-filter	FI	filtro FI
413	5	09218-191.97	Ferritdrossel 27µH	ferrite choke	bobine ferrite	impedenza in ferrite
413a		09647-021.97	Ferritperle	ferrite bead	perla ferrite	perlina in ferrite
414	5	8140-525-610	Ferritdrossel 22µH/5%	ferrite choke 22µH/5%	bobine	impedenza in ferrite
415		8302-220-033	Transistor BF 240	(T1)transistor BF 240	transistor	transistor
416		8302-222-040	Transistor BF 440	(T2)transistor BF 440	transistor	transistor
417		8302-202-410	Transistor BC 413 B	(T3)transistor BC 413 B	transistor	transistor
418		8302-200-420	Transistor BC 415 C	(T4)transistor BC 415 C	transistor	transistor
419	5	8383-120-302	Integr. Schaltung TCA 420 A	(IC 1)integr. circuit TCA 420 A	circuit intégré	circuito integrato
420	5	8383-160-399	Integr. Schaltung 1310	(IC 2)integr. circuit	circuit intégré	circuito integrato
421		8309-001-012	Diode AA 119	(D1/2/3)diode AA 119	diode	diode
422		8309-201-104	Diode BA 316	(D4)diode BA 316	diode	diode
424	5	8790-009-010	Einstellregler 1KΩ	(R18)min.pre-set pot.	pot. ajust.	trimmer ohmico
425	5	8790-009-018	Einstellregler 10KΩ	(R25)min.pre-set pot.	pot. ajust.	trimmer ohmico
426	5	8790-009-251	Einstellregler 10KΩ	(R42/51)min.pre-set pot.	pot. ajust.	trimmer ohmico
428	5	8790-009-027	Einstellregler 500KΩ	(R12)min.pre-set pot.	pot. ajust.	trimmer ohmico



Änderungen vorbehalten · Alterations reserved · Tous droits de modifications réservés · Con riserva di modifiche

ERSATZTEIL-LISTE

HiFi-Receiver R 35

		<u>Gehäuse, metallie</u>			
1	55015-010.01	Gehäuse kpl.	170	59311-028.00	Tunoscope-Modul-Platte kpl.
1.3	55015-030.01	Blende kpl.	185	59311-033.00	Regler-Modul-Platte I
1.31	55014-034.01	Skalenscheibe	194	59703-114.97	Potentiometer 2x100KΩ (R401/402)
1.32	55015-091.01	Zierrahmen kpl.			
1.33	55015-095.01	Zierrahmen kpl.	195	59703-117.97	Potentiometer 2x6 KΩ (R416/417)
1.6	55015-080.01	Deckel kpl.			
3	09670-847.01	5x Drehknopf	205	59315-060.00	Regler-Modul-Platte II
5	01560-580.00	UKW-Möbelantenne	211	59703-116.97	Potentiometer 2x100KΩ (R453/461)
			212	59703-115.97	Potentiometer 2x200KΩ (R456/457)
			213	59703-118.97	Potentiometer 2x100KΩ (R485/486)
			220	59310-187.00	Speicher-Platte kpl.
			221	59410-519.00	Speichereinheit 7-fach
13	09623-081.97	2x Stereo-Kopfhörerbuchse	230	59310-188.00	FM-Netzteil-Modul-Platte kpl.
14	59500-037.00	2x Kippschalter 2-fach kpl. (Still u. AFC)	236	8790-209-251	Einstellregler 10KΩ (R203)
15	50016-053.00	2x Schalterwinke	249	59315-055.00	Schalter-Modul-Platte kpl.
16	50016-190.01	Skala kpl.	250	59500-028.00	Kippschalter kpl. 2-fach (Aus)
17	50016-031.00	Rückwanddeckel	251	59500-029.00	2x Kippschalter kpl. 4-fach (L 1/2)
19	59701-023.00	2-fach-Drehkondensator	252	59500-033.00	Kippschalter kpl. 2-fach (Mono-Stereo)
19.1	59703-093.00	Abstimwiderstand 100KΩ (R5001)	253	59500-031.00	Kippschalter kpl. 4-fach (Lin./Cont.)
20	50016-038.01	Zeiger	254	59500-030.00	Kippschalter kpl. 4-fach (Monitor)
21	50016-040.00	Zeigerkappe	255	59500-034.00	Kippschalter kpl. 2-fach (Rausch)
22	09612-155.97	Antriebsrad	270	59315-034.00	Sensor-Platte 8-fach
23	09619-833.00	Ringfeder	285	59315-032.00	Buchsen-Modul-Platte
24	50016-081.00	Rollenwinke	287	09622-388.02	5x Zwergsteckdose
25	00813-001.02	8x Seilrolle	288	09625-475.00	Antennenbuchse kpl.
28	09612-833.00	Schwungrad	300	59310-181.00	ZF-Modul-Platte kpl. AM
30	09670-853.01	Drehknopf kpl.	301	19202-326.97	ZF-Filter
32	8138-003-005	Poliamidschnur 0,3 Ø	302	19202-328.97	ZF-Filter
33	8138-005-015	Skalenseil 7x0,1 / 38 lg. (Netzschalter)	304	19203-004.97	Ker.-Filter 460KHz
36	8138-007-021	2x Antriebschnur TE 50 P (schwarz)(90 lg./64 lg.)	304	19203-005.97	Ker.-Filter 452KHz(f.BE)
37	09626-145.06	2x Lampenfassung	320	59310-200.00	Entzerrer-Modul-Platte kpl.
38	50016-057.00	3x Diodenbuchse	330	09623-083.00	Thermoschalter
39	59705-034.97	Anzeiginstrument (Frequenzanzeige)	336	09605-501.97	2x Glimmerscheibe
40	59705-035.97	Anzeiginstrument (Feldstärke-Anzeige)	337	09605-502.97	2x Glimmerscheibe
63	09690-358.01	Netzleitung kpl.	372	8790-009-010	Einstellregler 1KΩ (R2016/3016)
63	09690-358.02	Netzleitung kpl. (f.CH)	385	59310-177.00	LS-Buchsenplatte kpl.
63	09690-358.03	Netzleitung kpl. (f.SK/BE)	385.1	09622-435.97	2x Lautsprecherbuchse (schwarz)
63	09690-358.04	Netzleitung kpl. (f.GB)	385.2	09622-555.97	2x Lautsprecherbuchse (grün)
63	09690-358.05	Netzleitung kpl. (f.Export)	390	59800-608.00	Netztrafo-Modul kpl.
67	8716-113-009	2x Lampe 6-7W/0,3A/110	397	09622-967.00	Zugschalter 2-pol.
68	8716-453-004	Zwerglampe 7W/80mA/230V/U	398	00813-001.01	Seilrolle
111	19799-323.91	Trimmer 3/15pF (C1027)	400	09007-013.01	Netztrafo
112	19799-323.97	Trimmer 3/15pF (C1026)	405	59800-602.00	ZF-PLL-Decoder-Steckmodul
114	8790-009-244	Einstellregler 3KΩ (R1087)	407	09223-333.32	ZF-Filter
115	8790-009-248	Einstellregler 5KΩ (R1022)	408	09223-336.23	ZF-Filter
116	8790-009-251	Einstellregler 10KΩ (R1014)	411	19202-335.97	ZF-Filter
		<u>FM-Spulensatz-Modul</u>	412	19202-334.97	2x ZF-Filter
120	59420-009.00	FM-Spulensatz-Modul kpl.	424	8790-009-010	Einstellregler 1KΩ (R18)
137	19799-331.91	Trimmer 2/6pF (C314)	425	8790-009-018	Einstellregler 10KΩ (R25)
138	19799-333.91	Trimmer 3/15pF (C303/313)	426	8790-009-251	Einstellregler 10KΩ (R425/51)
139	19799-334.91	Trimmer 4/20pF (C311)	428	8790-009-027	Einstellregler 500KΩ (R12)
145	59310-189.00	Tiefpaß-Modul-Platte kpl.			
150	59315-052.00	Sensor-Platte kpl.			
155	59310-183.00	Dioden-Modul-Platte kpl.			

